

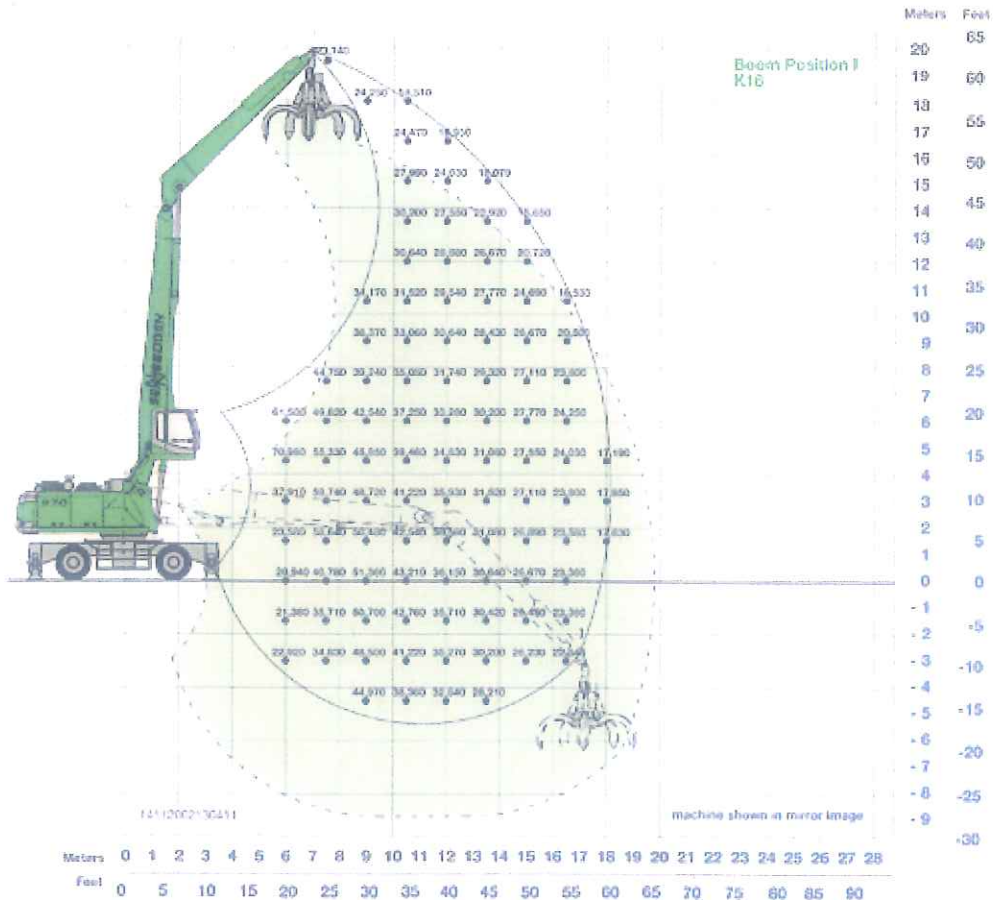
870 M C Series **SENEBOGEN** green line

FEATURES

Engine	426 HP
Working Radius	up to 68' 11"
Operating Weight	165,400 lbs.

SENEBOGEN
green line

870 M

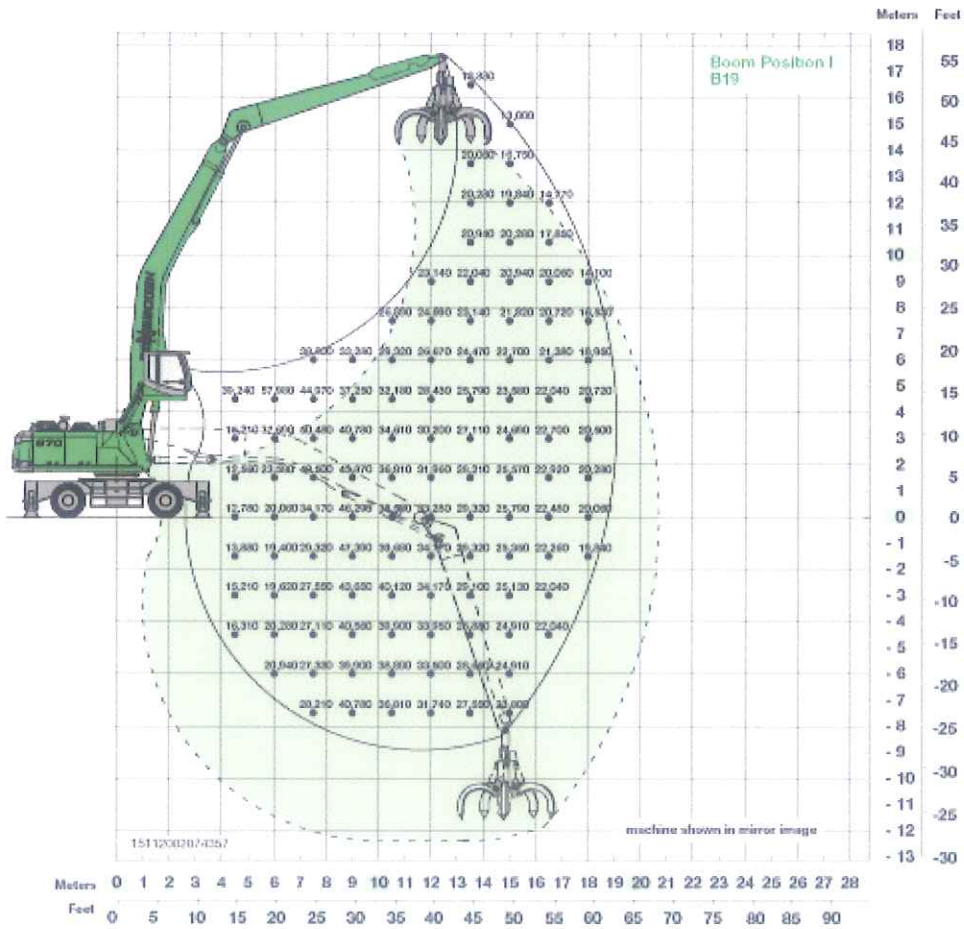


870 M

- Undercarriage: MP70, 4-point outriggers
tires 8 x 14.00-24
- Boom: 34'5"
- Stick: 28'3"
- Boom position: I
- Cab: C 270 hydraulic elevating cab with operator's eye level 28'2"

Load chart

Notes:
Lift capacities are stated in pounds, indicated loads are based on ISO 10567 and do not exceed 75% of lifting and 57% of hydraulic capacity. Machine on firm, level supporting surface, loads valid for 90° on outriggers supported.
Lifting capacities do not include working attachments such as scrap grapples, magnets, etc. Their weights must be deducted from the numbers indicated in the string charts.



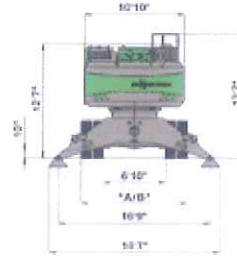
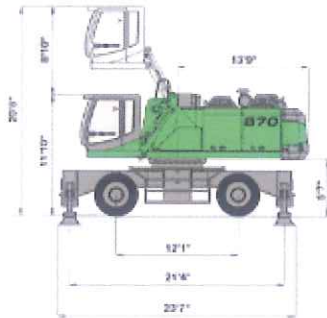
870 M

- Undercarriage: MP70, 4-point outriggers
tires 8 x 14.00-24
- Boom: 37'9" banana type
- Stick: 29'6"
- Boom position: I
- Cab: C 270 hydraulic elevating cab with operator's eye level 20'2"

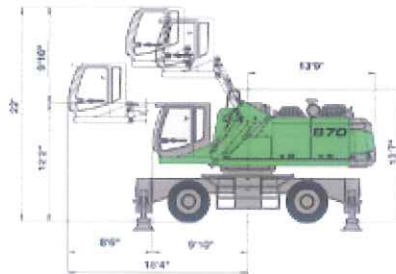
These lifting charts are only representative of the overall capability of the SENNEBOGEN green line machines. For detailed information, contact SENNEBOGEN North America or your SENNEBOGEN distributor for a complete brochure.

Machine Specifications

- 870 M with 8'10" hydraulic elevating Cab Type C 270



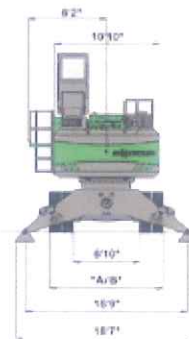
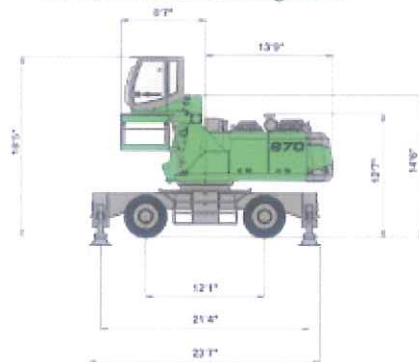
- 870 M with hydraulic elevating and forward moving Cab Type C 300/260



*A –
Transport width with
8 tires 14.00-24 - 12'

*B –
Transport width with
8 tires 16.00-25 - 12'5"

- 870 M with fixed cab height 4'11"



Available with mechanically tiltable optional 6'7" cab.

Depending upon tolerances, measurements may vary.

Not all equipment shown is standard. Ask your SENNEBOGEN Distributor for details.

FEATURES

- Working radius up to 68'11"
- No computers required to control hydraulic system
- Ultra fine hydraulic oil filtration system reduces maintenance cost and down time of machine
- Central lubrication system standard
- State-of-the-art load-sensing hydraulic system
- Powerful maintenance-friendly design
- Low noise emission

