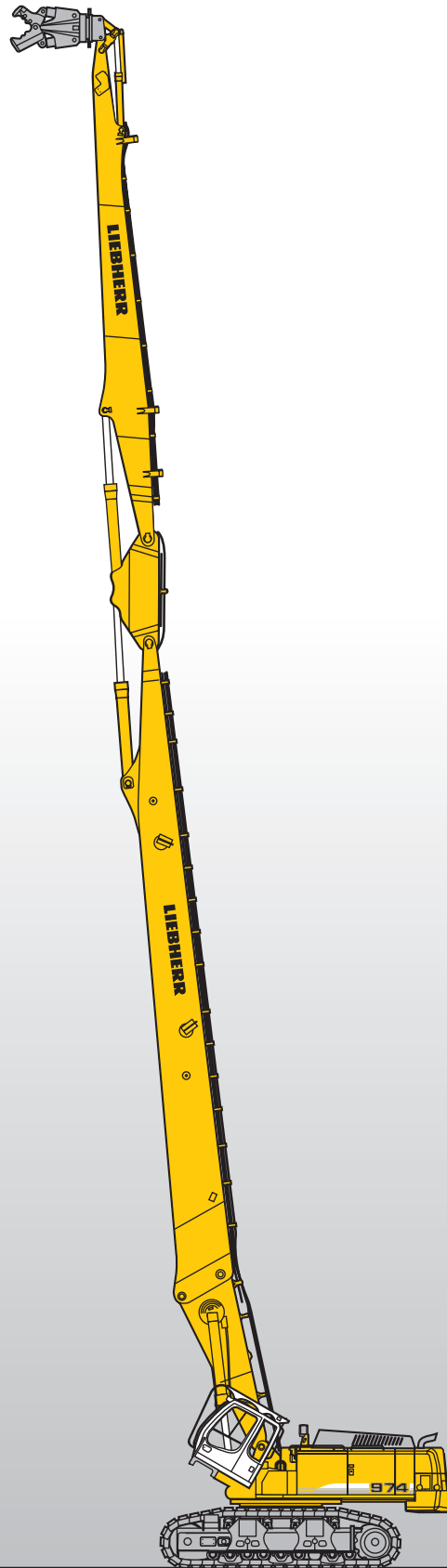
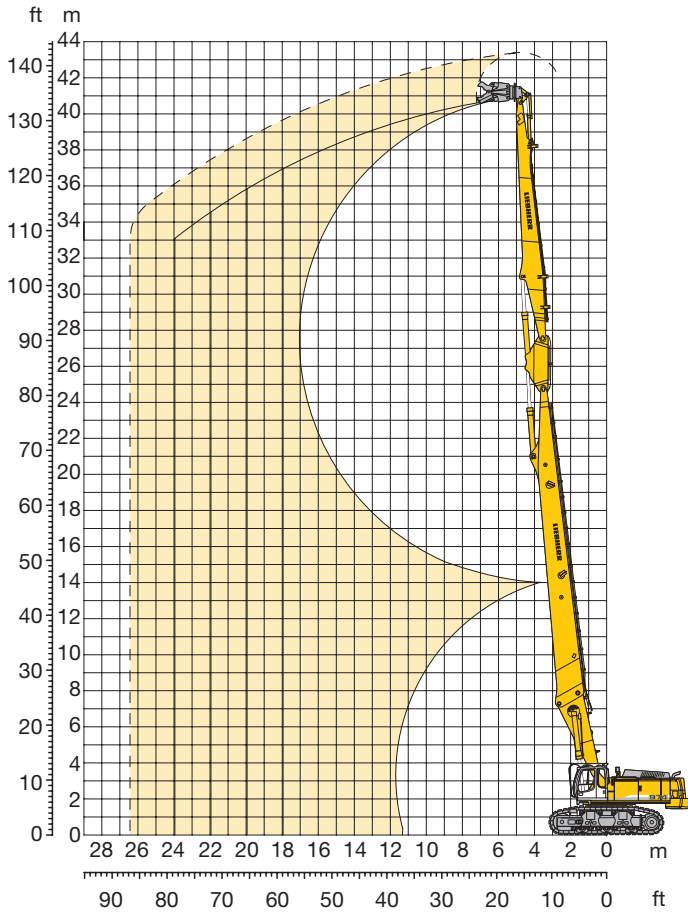


## Attachment Information

Liebherr Crawler Excavator  
with Demolition Attachment



# Demolition Attachment 41,00 m



## To order a complete machine you need the following

- Cab for demolition application
- Hydraulic control for rotary drive
- Hydraulic control for demolition attachment
- Hoist cylinders with re-generation and load holding valves
- Basic boom
- Heavy counterweight 25,0 t

## For demolition application, following additional items are also required:

- Demolition boom 17,00 m
- Intermediate boom 2,70 m
- Demolition stick 13,50 m standard (linkage R 932 Li)
- Tool (backhoe bucket, demolition shears, concrete nibblers, etc.)
- Support for demolition attachment
- Integral protection grid

## Optional

- Cab tiltable 30°
- Integral protection grid for cab on tilting device
- Hydraulic for removable counterweight
- Storage rack for demolition attachment

## Reach Limitation

	18 m	20 m	22 m	24 m
Demolition boom 17,00 m + Intermediate boom 2,70 m + Demolition stick 13,50 m	Tool weight* in t			
HD-EW-Undercarriage	3,00	3,00	2,80	2,50
VH-HD-Undercarriage	3,00	3,00	2,80	2,50

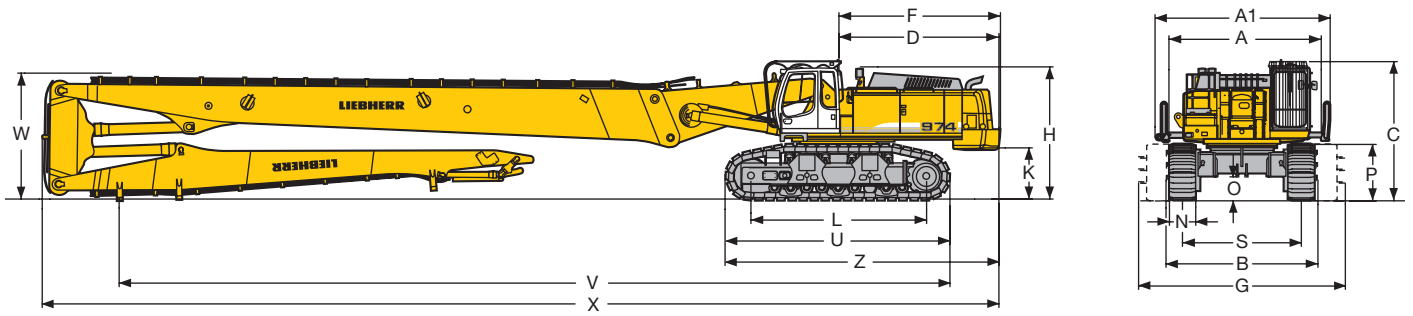
\* included quick change adapter, adapter plate and tool

## Operating Weight and Ground Pressure

Operating weight includes basic machine with heavy counterweight 25,0 t, demolition boom 17,00 m, intermediate boom, demolition stick 13,50 m standard and working tool 2,5 t.

Undercarriage		HD-EW	VH-HD
Pad width	mm	750	750
Weight	kg	127200	131600
Ground pressure	kg/cm <sup>2</sup>	1,54	1,60

# Dimensions

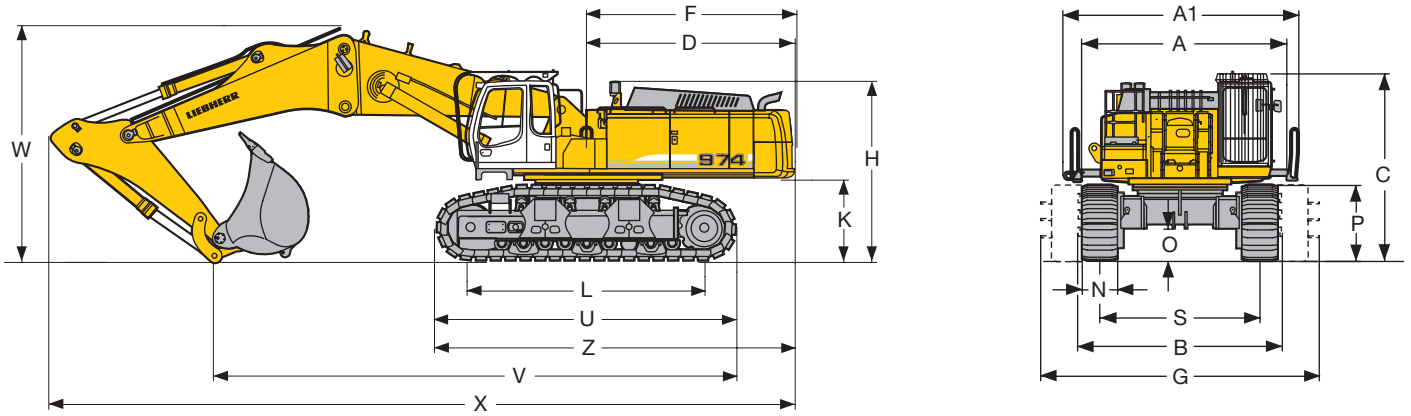


	<b>HD-EW</b>	mm	<b>VH-HD</b>	mm
A		4355		4355
A1		4980		4980
C		4040		3980
D		4580		4580
E		4620		4620
H		3840		3780
K		1525		1465
L		5035		5020
P		1680		1615
Q		755		685
S		4588		3400-4700
U		6430		6410
Z		7810		7785
N		750		750
B		5580		4350-5650
G*		5910		4615-5915

<b>Demolition Boom 17,00 m</b>				
	<b>HD-EW</b>	mm	<b>VH-HD</b>	mm
V		23750		23750
W		3600		3600
X		27350		27350

\* with catwalks

# Dimensions



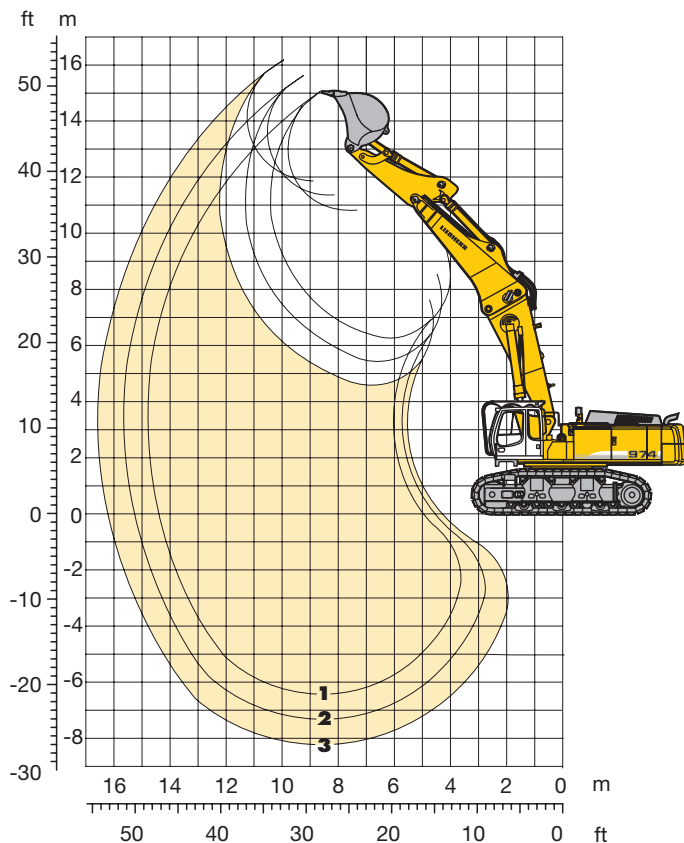
	HD-EW	mm	VH-HD	mm
A		4355		4355
A1		4980		4980
C		4040		3980
D		4405		4405
E		4445		4445
H		3840		3780
K		1800		1740
L		5035		5020
P		1680		1615
Q		755		685
S		4588		3400–4700
U		6430		6410
Z		7635		7610
N		750		750
B		5580		4350–5650
G*		5910		4615–5915

	Stick Length	Main Boom 5,00 m	
		HD-EW	VH-HD
	m	mm	mm
V	2,90	11050	11050
	3,80	10750	10750
	4,70	10550	10550
W	2,90	5050	5000
	3,80	5500	5450
	4,70	6050	6000
X	2,90	15800	15800
	3,80	15400	15400
	4,70	15350	15350

\* with catwalks

# Backhoe Attachment

with Main Boom 5,00 m



## For backhoe application, following items are required

- Main boom 5,00 m
- Stick 2,90 m
- Stick 3,80 m
- Stick 4,70 m
- Storage racks for backhoe attachment

### Optional

- Hydraulic lines AHS\* for main boom 5,00 m
- Hydraulic lines AHS\* for stick 2,90 m
- Hydraulic lines AHS\* for stick 3,80 m
- Hydraulic lines AHS\* for stick 4,70 m
- Hydraulic lines rotary drive for main boom 5,00 m
- Hydraulic lines rotary drive for stick 2,90 m
- Hydraulic lines rotary drive for stick 3,80 m
- Hydraulic lines rotary drive for stick 4,70 m
- Backhoe bucket – as required

\* AHS = hydraulic control for hydraulic accessory

## Digging Envelope

		1	2	3
Stick lengths	m	2,90	3,80	4,70
Max. digging depth	m	6,40	7,30	8,20
Max. reach at ground level	m	14,40	15,30	16,15
Max. dump height	m	10,75	11,30	11,85
Max. teeth height	m	15,00	15,60	16,20
Digging force	kN	335	283	246
	t	34,1	28,8	25,1
Breakout force	kN	405	405	405
	t	41,3	41,3	41,3

## Operating Weight and Ground Pressure

Operating weight includes basic machine with counterweight 16,0 t, main boom 5,00 m, stick 2,90 m and backhoe bucket 5,20 m<sup>3</sup> (4400 kg).

Undercarriage		HD-EW	VH-HD
Pad width	mm	750	750
Weight	kg	109400	113800
Ground pressure	kg/cm <sup>2</sup>	1,32	1,38

## Backhoe Bucket

Cutting width	mm	1750	1750	1900	1900	2100	2100	2250	2250	1900	2250
Capacity ISO 7451	m <sup>3</sup>	3,60	3,80	4,10	4,30	4,60	4,80	5,20	5,80	4,30	4,60
Weight Standard bucket with teeth V 61 SD	kg	–	3750	–	3950	–	4250	4400	4600	–	–
Weight HD bucket with teeth V 61 RYL	kg	4300	–	4500	–	4850	–	–	–	–	–
Weight HD-V bucket with teeth V 69 SD	kg	–	–	–	–	–	–	–	–	6100	6100
Suitable for material up to a specific weight of											
with stick 2,90 m	t/m <sup>3</sup>	–	–	–	–	2,20	2,20	1,80	1,80	2,20	1,80
with stick 3,80 m	t/m <sup>3</sup>	2,20	2,20	2,20	2,20	1,80	1,80	1,50	1,50	1,80	1,50
with stick 4,70 m	t/m <sup>3</sup>	1,80	1,80	1,80	1,80	1,50	1,50	1,20	1,20	1,20	–

# Lift Capacities

with Main Boom 5,00 m

## Stick 2,90 m

Height (m)	Under-carriage	Radius of load from centerline of machine (m)							
		4,5	6,0	7,5	9,0	10,5	12,0	13,5	15,0
12,0	HD-EW								
	VH-HD								
10,5	HD-EW						14,9# (14,9#)		
	VH-HD						14,9# (14,9#)		
9,0	HD-EW				16,4# (16,4#)	15,2# (15,2#)			
	VH-HD				16,3# (16,3#)	15,2# (15,2#)			
7,5	HD-EW		20,7# (20,7#)	17,8# (17,8#)	16,0# (16,0#)	14,9# (14,9#)			
	VH-HD		20,6# (20,6#)	17,7# (17,7#)	16,0# (16,0#)	14,9# (14,9#)			
6,0	HD-EW		23,7# (23,7#)	19,6# (19,6#)	17,1# (17,1#)	15,0 (15,5#)			
	VH-HD		23,6# (23,6#)	19,5# (19,5#)	17,1# (17,1#)	15,5# (15,5#)			
4,5	HD-EW		26,8# (26,8#)	21,5# (21,5#)	18,2 (18,3#)	14,4 (15,7)			
	VH-HD		26,7# (26,7#)	21,5# (21,5#)	18,3# (18,3#)	15,9 (16,1)			
3,0	HD-EW		29,2 (29,5#)	22,1 (23,3#)	17,4 (18,9)	13,9 (15,2)			
	VH-HD		29,4# (29,4#)	23,3# (23,3#)	19,1 (19,4)	15,3 (15,6)			
1,5	HD-EW		28,0 (30,8)	21,2 (23,2)	16,7 (18,3)	13,5 (14,8)			
	VH-HD		30,9 (31,2#)	23,4 (23,8)	18,4 (18,8)	14,9 (15,2)			
0	HD-EW		27,5 (30,3)	20,7 (22,7)	16,3 (17,9)	13,3 (14,5)			
	VH-HD		30,4 (31,0)	22,8 (23,3)	18,0 (18,4)	14,7 (15,0)			
-1,5	HD-EW	27,9# (27,9#)	27,5 (30,3)	20,5 (22,5)	16,2 (17,7)	13,3 (14,5)			
	VH-HD	27,5# (27,5#)	30,3 (30,9)	22,7 (23,1)	17,9 (18,2)	14,7 (15,0)			
-3,0	HD-EW	38,6# (38,6#)	27,8 (30,6)	20,7 (22,7)	16,4 (17,9)				
	VH-HD	38,7# (38,7#)	30,7 (31,0#)	22,8 (23,3)	18,1 (18,4)				
-4,5	HD-EW		28,6 (28,8#)	21,3 (23,3)	17,0 (18,5)				
	VH-HD		28,9# (28,9#)	23,4 (23,6#)	18,7 (19,0)				
-6,0	HD-EW								
	VH-HD								

## Stick 3,80 m

Height (m)	Under-carriage	Radius of load from centerline of machine (m)							
		4,5	6,0	7,5	9,0	10,5	12,0	13,5	15,0
12,0	HD-EW								11,4# (11,4#)
	VH-HD								11,3# (11,3#)
10,5	HD-EW								13,0# (13,0#)
	VH-HD								9,7# ( 9,7#)
9,0	HD-EW								13,0# (13,0#)
	VH-HD								12,5# (12,5#)
7,5	HD-EW						16,0# (16,0#)	14,5# (14,5#)	13,5# (13,5#)
	VH-HD						15,9# (15,9#)	14,4# (14,4#)	13,5# (13,5#)
6,0	HD-EW						21,3# (21,3#)	17,8# (17,8#)	15,7# (15,7#)
	VH-HD						21,2# (21,2#)	17,8# (17,8#)	15,6# (15,6#)
4,5	HD-EW						24,6# (24,6#)	19,9# (19,9#)	17,0# (17,0#)
	VH-HD						24,5# (24,5#)	19,8# (19,8#)	17,0# (17,0#)
3,0	HD-EW						27,6# (27,6#)	21,9# (21,9#)	17,5 (18,4#)
	VH-HD						27,5# (27,5#)	21,8# (21,8#)	18,3# (18,3#)
1,5	HD-EW						28,5 (29,9#)	21,4 (23,4)	16,8 (18,3)
	VH-HD						29,8# (29,8#)	23,5# (23,5#)	18,5 (18,8)
0	HD-EW						18,8# (18,8#)	27,6 (30,4)	20,7 (22,7)
	VH-HD						18,6# (18,6#)	30,4 (31,1)	22,8 (23,3)
-1,5	HD-EW						24,8# (24,8#)	27,3 (30,0)	20,3 (22,3)
	VH-HD						24,5# (24,5#)	30,1 (30,7)	22,4 (22,9)
-3,0	HD-EW	20,9# (20,9#)					33,2# (33,2#)	27,4 (30,1)	20,3 (22,3)
	VH-HD	20,6# (20,6#)					32,8# (32,8#)	30,2 (30,8)	22,4 (22,8)
-4,5	HD-EW						37,9# (37,9#)	27,8 (30,1#)	20,6 (22,6)
	VH-HD						38,0# (38,0#)	30,2# (30,2#)	22,7 (23,1)
-6,0	HD-EW						27,3# (27,3#)	21,3 (22,0#)	
	VH-HD						27,4# (27,4#)	22,2# (22,2#)	

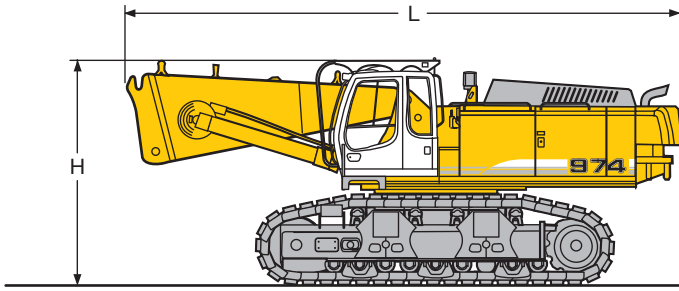
## Stick 4,70 m

Height (m)	Under-carriage	Radius of load from centerline of machine (m)							
		4,5	6,0	7,5	9,0	10,5	12,0	13,5	15,0
12,0	HD-EW								7,7# ( 7,7#)
	VH-HD								7,6# ( 7,6#)
10,5	HD-EW								9,5# ( 9,5#)
	VH-HD								9,4# ( 9,4#)
9,0	HD-EW								10,4# (10,4#)
	VH-HD								10,4# (10,4#)
7,5	HD-EW								12,1# (12,1#)
	VH-HD								12,0# (12,0#)
6,0	HD-EW								15,9# (15,9#)
	VH-HD								15,8# (15,8#)
4,5	HD-EW								14,1# (14,1#)
	VH-HD								12,8# (12,8#)
3,0	HD-EW								11,1# (11,1#)
	VH-HD								11,1# (11,1#)
1,5	HD-EW								18,1# (18,1#)
	VH-HD								15,5# (15,5#)
0	HD-EW								13,8# (13,8#)
	VH-HD								11,6 (12,7#)
-1,5	HD-EW								12,6# (12,6#)
	VH-HD								6,8# (6,8#)
-3,0	HD-EW								25,4# (25,4#)
	VH-HD								20,2# (20,2#)
-4,5	HD-EW								17,0# (17,0#)
	VH-HD								14,0 (14,9#)
-6,0	HD-EW								11,2 (12,2)
	VH-HD								7,5# (7,5#)
-1,5	HD-EW								25,3# (25,3#)
	VH-HD								20,1# (20,1#)
-3,0	HD-EW								17,0# (17,0#)
	VH-HD								14,8# (14,8#)
-4,5	HD-EW								12,4 (12,6)
	VH-HD								7,5# (7,5#)
-6,0	HD-EW								28,1# (28,1#)
	VH-HD								21,6 (22,1#)
0	HD-EW								16,8 (18,4)
	VH-HD								13,4 (14,6)
-1,5	HD-EW								10,8 (11,8)
	VH-HD								7,0# (7,0#)
-3,0	HD-EW								28,0# (28,0#)
	VH-HD								22,1# (22,1#)
-4,5	HD-EW								18,3# (18,3#)
	VH-HD								14,8 (15,1)
-6,0	HD-EW								12,0 (12,2)
	VH-HD								7,1# (7,1#)
0	HD-EW								19,0# (19,0#)
	VH-HD								27,7 (30,0#)
-1,5	HD-EW								16,1 (17,7)
	VH-HD								12,9 (14,1)
-3,0	HD-EW								10,5 (11,5)
	VH-HD								18,9# (18,9#)
-4,5	HD-EW								30,0# (30,0#)
	VH-HD								22,8 (23,3)
-6,0	HD-EW								17,8 (18,2)
	VH-HD								14,3 (14,6)
-1,5	HD-EW								11,7 (11,9)
	VH-HD								12,1# (12,1#)
-3,0	HD-EW								22,6# (22,6#)
	VH-HD								22,6# (22,6#)
-4,5	HD-EW								29,9 (30,5)
	VH-HD								22,2 (22,7)
-6,0	HD-EW								17,4 (17,7)
	VH-HD								14,0 (14,3)
-1,5	HD-EW								11,5 (11,8)
	VH-HD								10,4 (11,4)
-3,0	HD-EW								17,6# (17,6#)
	VH-HD								17,4# (17,4#)
-4,5	HD-EW								28,6# (28,6#)
	VH-HD								28,6# (28,6#)
-6,0	HD-EW								29,7 (30,3)
	VH-HD								22,0 (22,4)
-1,5	HD-EW								17,2 (17,5)
	VH-HD								13,9 (14,2)
-3,0	HD-EW								11,6 (11,8)
	VH-HD								24,4# (24,4#)
-4,5	HD-EW								37,1# (37,1#)
	VH-HD								24,2# (24,2#)
-6,0	HD-EW								36,4# (36,4#)
	VH-HD								36,6# (36,6#)

The lift capacities are stated in metric tonnes (t) on the backhoe bucket's lifting eye, and can be lifted 360° on firm, level supporting surface. Values quoted in brackets are valid for the undercarriage when in longitudinal position. Capacities are valid for 600 mm wide triple grouser pads. Indicated loads are based on ISO 10567 standard and do not exceed 75 % of tipping or 87 % of hydraulic capacity (indicated via #). Maximum load for the backhoe bucket's lifting eye is 27 t. Without bucket (4,30 m³), the lift capacities will increase by 3950 kg, without bucket cylinder, link and lever they increase by an additional 1250 kg. Lifting capacity of the excavator is limited by machine stability, hydraulic capacity and maximum permissible load of the load hook.

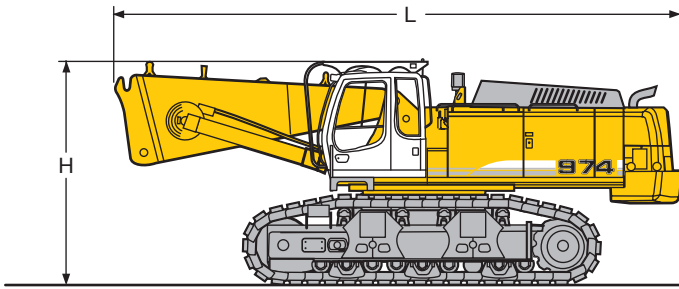
According to European Standard, EN 474-5: In the European Union excavators have to be equipped with an overload warning device, a load diagram and automatic check valves on the hoist cylinders, when they are used for lifting operations which require the use of lifting accessories.

# Dimensions and Weights



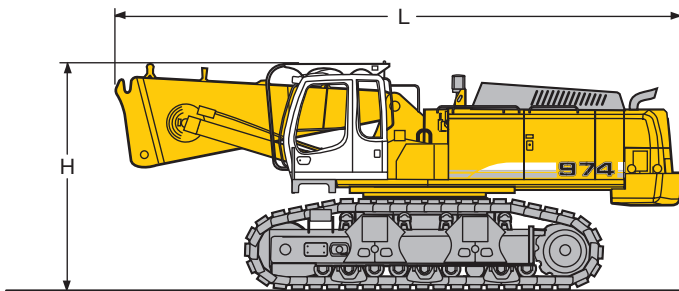
## Basic machine with fixed cab and integral protection grid without counterweight

Undercarriage		HD-EW	VH-HD
Pad width	mm	750	750
L	mm	9850	9850
H	mm	4040	3980
Weight	kg	83000	87400



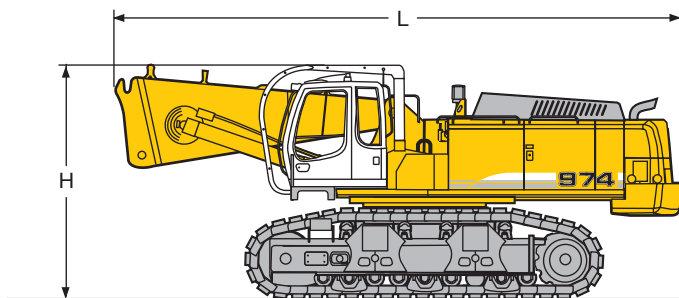
## Basic machine with fixed cab and integral protection grid with counterweight

Undercarriage		HD-EW	VH-HD
Pad width	mm	750	750
L	mm	10050	10050
H	mm	4040	3980
Weight	kg	102400	106800



## Basic machine with cab tiltable 30° and integral protection grid

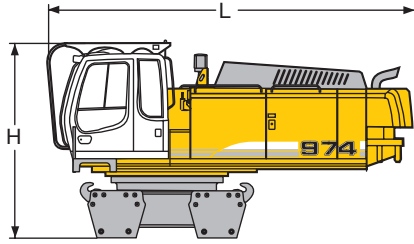
Undercarriage		HD-EW	VH-HD
Pad width	mm	750	750
L	mm	10050	10050
H	mm	4085	4025
Weight	kg	103600	108000



## Basic machine with cab tiltable 30° and integral protection grid on tilting device

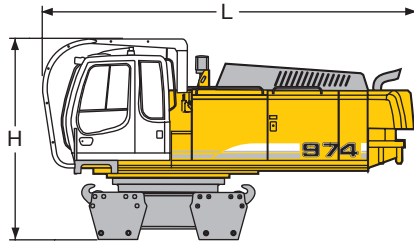
Undercarriage		HD-EW	VH-HD
Pad width	mm	750	750
L	mm	10050	10050
H	mm	4205	4145
Weight	kg	103800	108200

# Dimensions and Weights



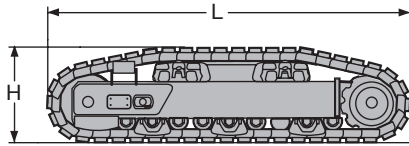
## Basic Machine without Side Frames for HD-EW-Undercarriage

L Length	mm	6500
H Height	mm	3495
Width	mm	3800
Weight	kg	41500



## Basic Machine without Side Frames for HD-EW-Undercarriage with cab tiltable 30° and integral protection grid on tilting device

L Length	mm	6615
H Height	mm	3615
Width	mm	3800
Weight	kg	41700



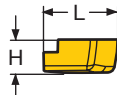
## Side Frame for HD-EW Undercarriage

L Length	mm	6430
H Height	mm	1680
Width	mm	1400
Weight	kg	2 x 16000



## Removable Counterweight

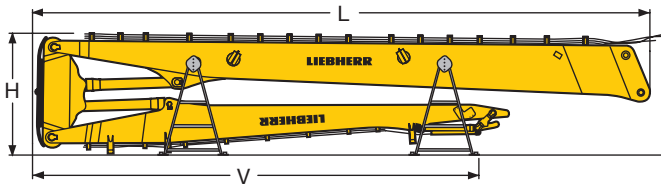
L Length	mm	865
H Height	mm	930
Width	mm	3360
Weight	kg	10200



## Additional Counterweight

L Length	mm	1295
H Height	mm	570
Width	mm	3870
Weight	kg	9200

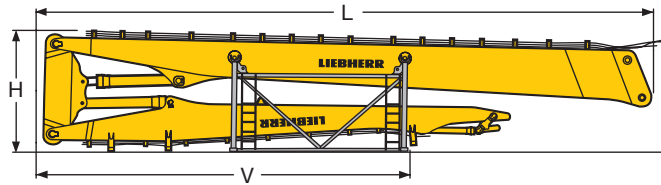
# Dimensions and Weights



## Demolition Attachment with Support

### Demolition Boom 17,00 m

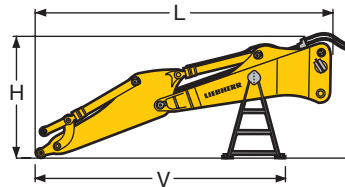
L Length	mm	18350
H Height	mm	3600
V	mm	13200
Width	mm	2450
Weight without working tool	kg	23400



## Demolition Attachment with Storage Rack

### Demolition Boom 17,00 m

L Length	mm	18350
H Height	mm	3600
V	mm	11100
Width	mm	2450
Weight without working tool	kg	24700

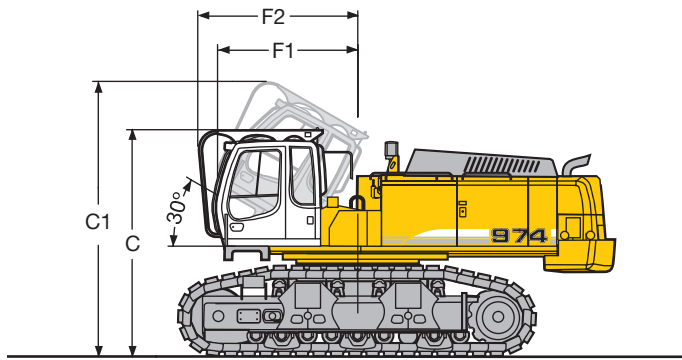


## Backhoe Attachment with Supports

### Main Boom 5,00 m

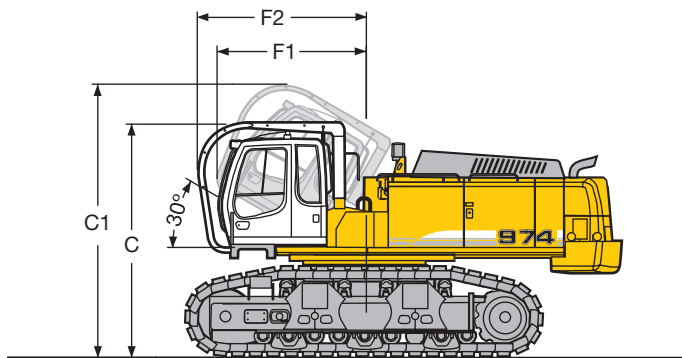
Stick lengths	m	2,90	3,80	4,70
L Length	mm	7800	8800	9700
H Height	mm	3700	3600	3600
V	mm	6400	7400	8300
Width	mm	2400	2400	2400
Weight without bucket	kg	12200	12500	13000

# Choice of Cab Elevations



## Version tiltable 30° with integral protection grid

Undercarriage		HD-EW	VH-HD
C	mm	4085	4025
C1	mm	4925	4865
F1	mm	2470	2470
F2	mm	2810	2810



## Version tiltable 30° with integral protection grid on tilting device

Undercarriage		HD-EW	VH-HD
C	mm	4205	4145
C1	mm	4910	4850
F1	mm	2630	2630
F2	mm	2930	2930

### Liebherr-France SAS

2, avenue Joseph Rey, B.P. 90287, F-68005 Colmar Cedex

+33 389 21 30 30, Fax +33 389 21 37 93

www.liebherr.com, E-Mail: info.lfr@liebherr.com